



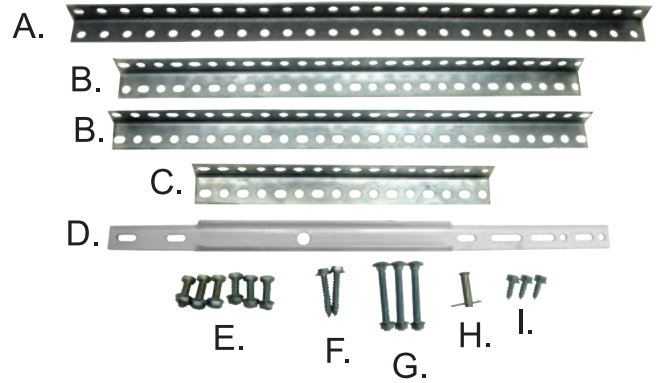
GARAGE DOOR OPENER HANGING KIT

SKU: 425-1602 Model: 24999

www.gdohelp.com
 1-877-GDO-4402
 1-877-436-4402
 2301 Traffic St. NE
 Minneapolis, MN 55413

Kit Inventory:

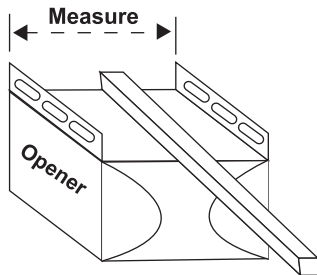
Part	Description	Qty
A.	26" Ceiling Brace	1
B.	19-1/2" Hanging Brace	2
C.	13-1/2" Cross Brace	1
D.	20" Door Bracket	1
E.	5/16" x 1" bolt with Flange Nut	6
F.	5/16" x 2-1/2" Lag Wood Screw	2
G.	5/16" x 3" Carriage Bolt with Flange Nut	3
H.	Clevis Pin with Cotter Pin	1
I.	1/4" x 3/4" Self Threading Lag Screws	3



REFER TO THE GARAGE DOOR OPENER MANUAL FOR OPENER INSTALLATION PROCEDURES

Assembling the opener bracket

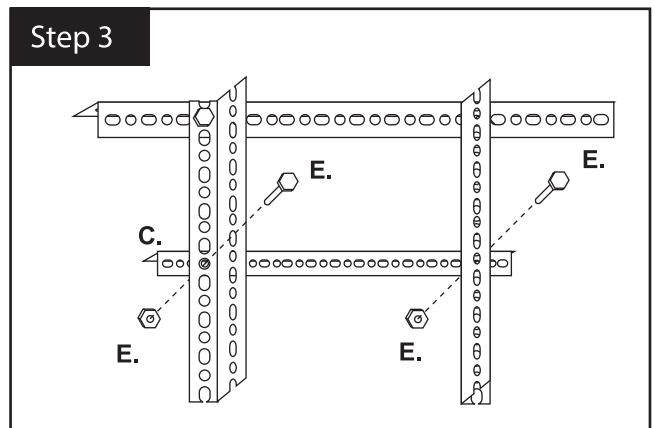
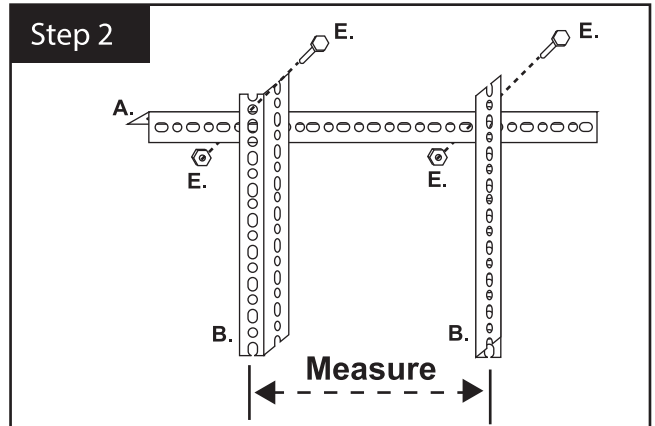
1. Measure the width of the opener attachment brackets.



2. Using the measurement from step one, Attach the two hanging braces (B.) to the one ceiling brace (A.) using two 1" bolts with two flange nuts (E.). Only finger tighten nuts and bolts at this time.

3. Attach the one cross brace (C.) using two 1" bolts with two flange nuts (E.). Only finger tighten nuts and bolts at this time.

4. Flip instructions over for final installation.



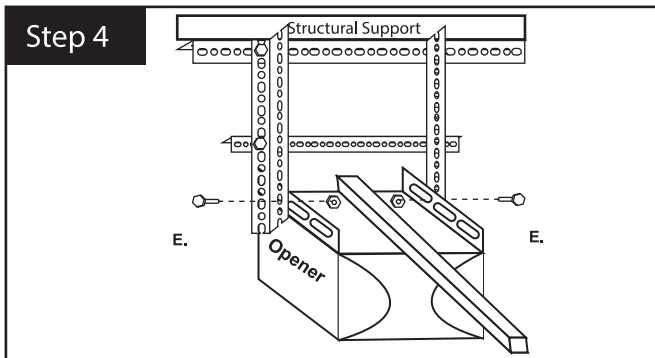
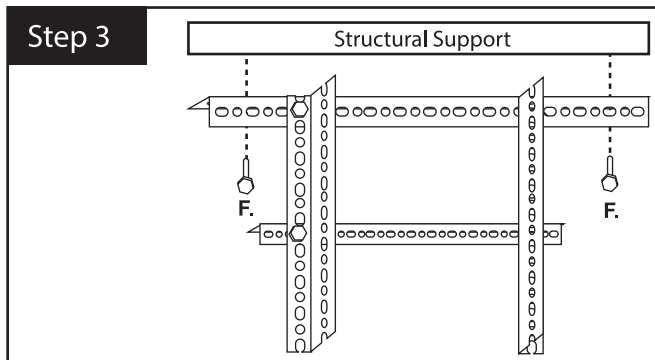
Assembling the opener bracket Continued

5. Attach bracket assembly to the garage structural supports*, using two 2-1/2" lag wood screws (F.) Tighten securely.**

*Structural supports refers to: Wood Trusses or rafters.

**If installing to masonry, concrete anchors (not provided) MUST be used.

6. Attach the complete bracket assembly to the garage door opener using two 1" bolts with two flange nuts (E.) Tighten entire bracket assembly using two crescent wrenches.



Attaching the door bracket

Steel door with reinforcement bracket installation

Mark and drill three 3/16" holes into vertical steel reinforcement*. Make sure not to drill through the garage door. Secure the door bracket (D.) with three 3/4" self threading lag screws (I.)

*If door has no reinforcement contact your door manufacturer for reinforcement options.

Steel door without reinforcement bracket

Mark and drill three 5/16" holes through the garage door. Secure the door bracket (D.) with three 5/16" bolts, lock washers and nuts (all not provided*). The length of bolts will depend on the thickness of the door.

Wood door Installation

Mark and drill three 5/16" holes through the garage door. Secure the door bracket (D.) with three 3" carriage bolts and three flange nuts. (G.)

Note: DO NOT use Self-Threading Screws on a wood door.

Attaching bracket to Garage Door Opener

Insert one clevis door pin (H.) through the door bracket (D.) and Garage Door Opener Arm. Secure by inserting one cotter pin (I.) Refer to Garage Door Opener Manual for proper adjustment and alignment.

