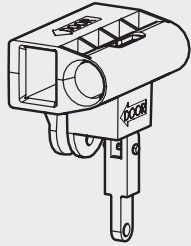


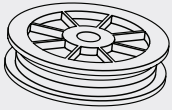
TROLLEY AND PULLEY ASSEMBLY

Look in the box for:

Trolley



Pulley



Clevis Pin
3/8" x 1-3/4"

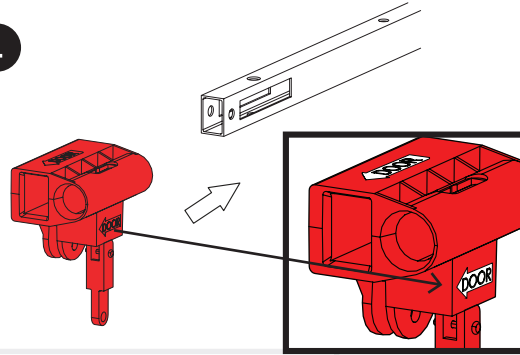


Hitch Pin

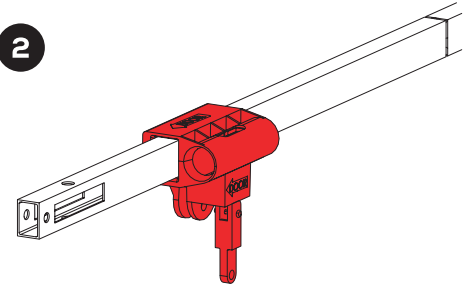


Slide trolley onto the rail. Make sure the arrow on the trolley points toward the door.

1

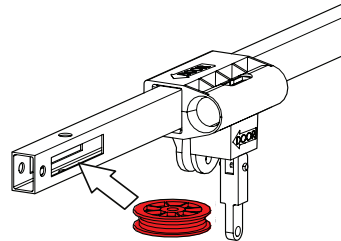


2



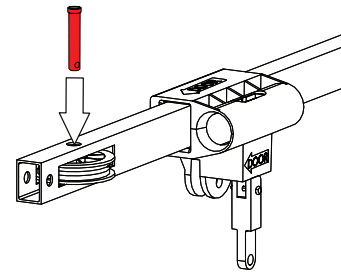
Insert pulley into the pulley slot.

3



Insert clevis pin through rail hole and pulley.

4



Insert hitch pin into clevis pin.

5

