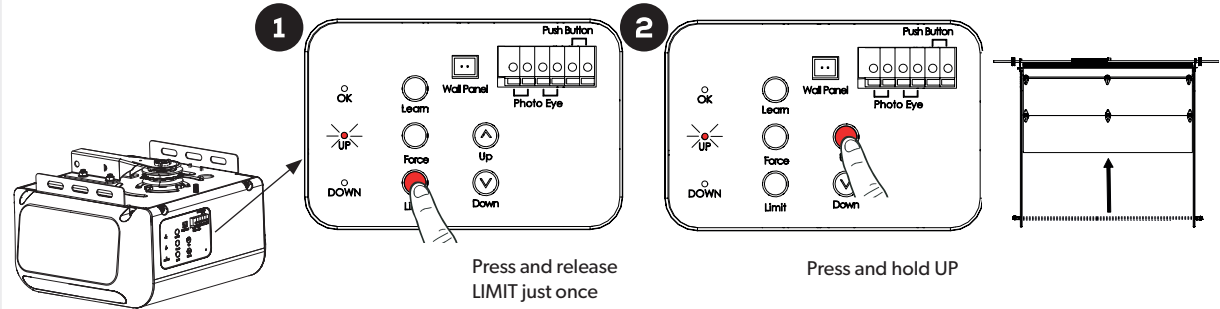


# TRAVEL LIMIT ADJUSTMENT - UP LIMIT

## NOTICE:

Travel limits and auto force setting must be set for the opener to work. All steps on pages 18-20 must be followed.

With door in the closed position, press and release "Limit" button, the green (UP) LED will illuminate. Press and hold the "Up" button while the "Up" light is illuminated until door reaches desired open position. If needed, press the down or up arrow to micro-adjust.



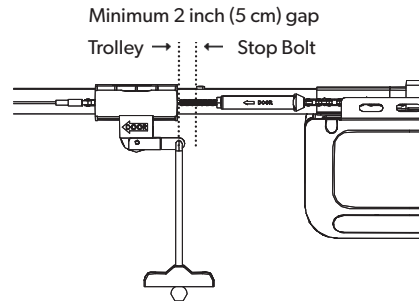
## ⚠ WARNING

To prevent SERIOUS INJURY or DEATH from improper Force Adjustment:

- YOU CANNOT adjust force manually to compensate for binding or sticking of the garage door. Call a qualified garage door service person to make necessary adjustments in case of binding.
- YOU CANNOT manually increase the force required for closing the door.
- After ANY adjustments, Safety Reversal Test MUST be performed to ensure the door reverses on contact with a 1-1/2 inch (3.8 cm) high object (2x4 laid flat).

### \* DO NOT HIT STOP BOLT \*

There should be a minimum 2 inch (5 cm) gap between trolley and stop bolt.



Once the door is at the desired open position, press and release the "Limit" button once. The "OK" LED flashes and turns off. The UP Limit has now been set.

