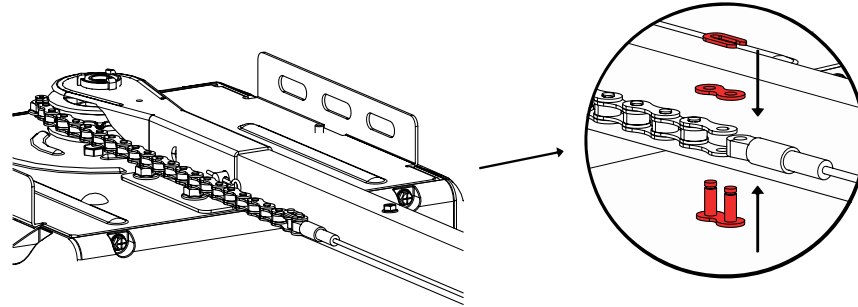


INSTALLING CABLE AND CHAIN

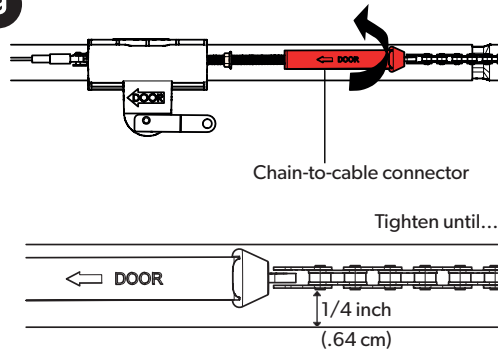
Bring cable and chain together and connect with master link. Check to make sure the chain is not twisted. If chain and cable are not close enough to connect with master link, loosen chain-to-cable connector to create more slack.

8

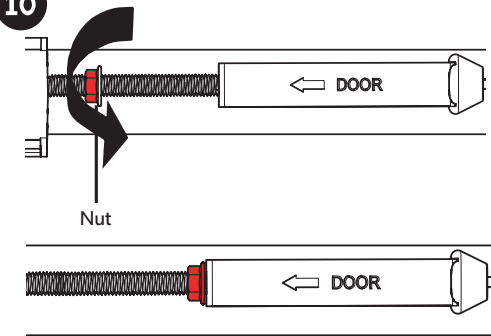


Adjust chain tension by turning chain-to-cable connector until chain is about 1/4 inch (.64cm) above the base of rail. Once proper tension is achieved tighten lock nut against chain-to-cable connector.

9



10



⚠️ WARNING



To prevent **SERIOUS INJURY**:

- DO NOT connect power until instructed.
- Keep hands and fingers clear from sprocket during operation.
- Wear gloves when installing chain and cable.
- Keep hands and fingers away from joints and possible sharp edges.