



## SMART GARAGE DOOR CONTROLLER INSTALLATION GUIDE

Installation requires no special tools — you'll just need a screwdriver, stepladder and smartphone!

*(Tools and smartphone not included.)*

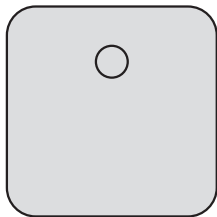
Model V2B

**[performaxopeners.com](http://performaxopeners.com)**

**1-800-495-9278**

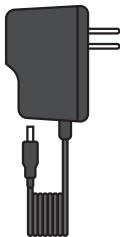
## Thank you for purchasing the Performax Smart Garage Door Controller!

Please read and follow all installation instructions. Homeowners should retain this guide for reference.



**A**

**Controller**



**B**

**Power  
adapter**



**C**

**Wireless door  
sensor**




**D**

**Opener  
cable**

# 1

## Download the app & begin setup

*Garage door opener system must be installed and operational before beam Home can be installed.*

-  While inside your home, download\* the “**beam Home**” app from the App Store (iOS) or Google Play (Android).
- Open the app, and select “Setup Your beam.”
- Follow prompts within the app to verify the WiFi network you’d like your controller to connect to, and enter your network password.

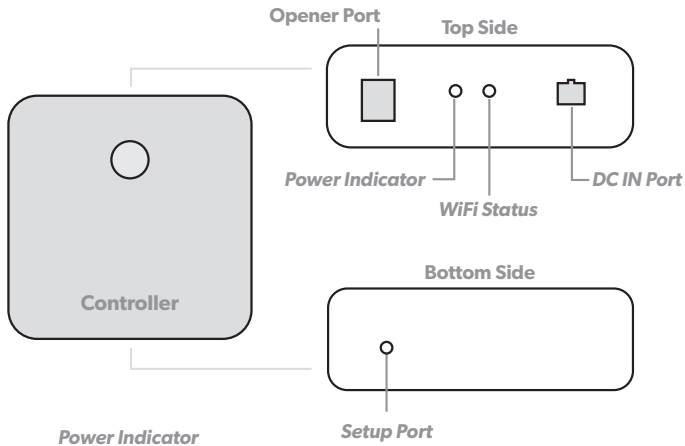
**TIP:** Make sure you do not select a 5G network for setup (beam only connects to 2.4GHz networks).



*\*Standard data and messaging rates may apply.*

## 2 Power up the controller

- Locate the controller **A** and power adapter **B**. Plug the adapter into the DC IN port on the controller and a nearby power source.
- The controller's WiFi status light will blink orange to indicate it's ready for setup.



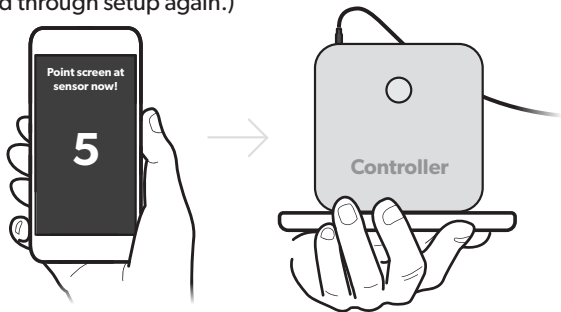
### 3

## Program the controller

- Follow prompts within the app, and when directed, press your phone screen tightly (taking care not to damage your phone) against the bottom setup port.

**TIP:** It may be helpful to dim the lights or cup your hand over your phone during programming to minimize light interference.

- If successful, the controller will beep and the WiFi status light will blink green. You'll then be prompted to create an account. (If not successful, the WiFi status light will blink red and you will be guided through setup again.)



# 4

## Scan the wireless door sensor code

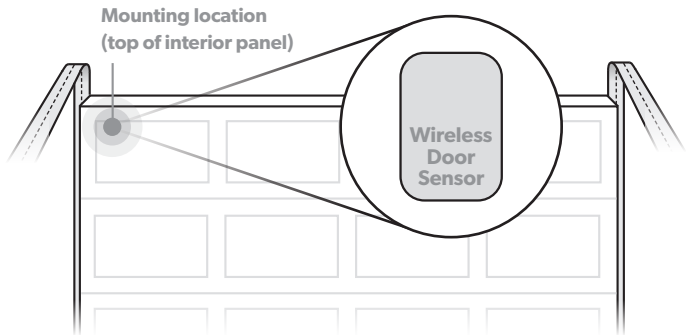
- Locate the wireless door sensor **C** and follow prompts within the app to scan the code (found on the back of the sensor).
- Enter a name to identify your door.
- Unplug the controller and head out to the garage!



5

## Mount the wireless door sensor

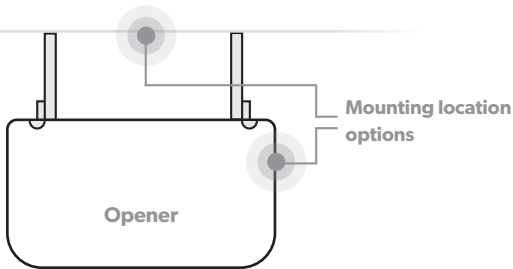
- Clean and wipe dry an area at the top of your garage door's interior panel.
- Remove the battery tab from the back of the wireless door sensor **C** and mount to the cleaned area of the garage door using the adhesive Velcro strip.



## 6 Mount the controller

- Unplug your opener.
- Locate the controller **A** and power adapter **B**, and grab your stepladder.
- Clean and wipe dry your selected mounting location, either on the garage door opener or a nearby surface. Mount using the adhesive strip on the back of the controller.

**TIP:** The controller should be mounted within 3 feet of the garage door opener and within 6 feet of a power source. *The use of an extension cord is not recommended.*

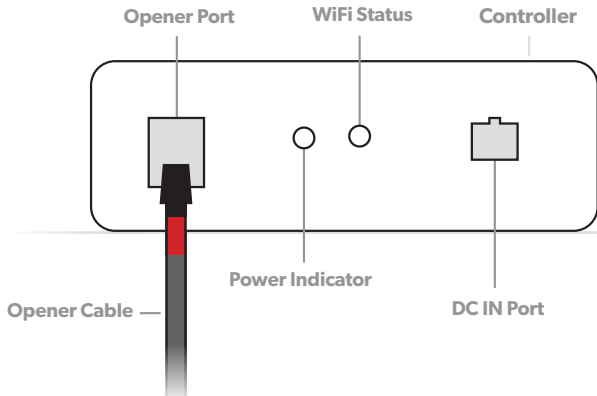




# 7

## Connect the opener cable to the controller

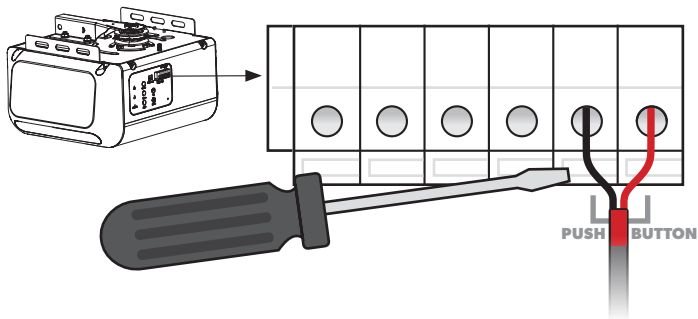
- Make sure opener is unplugged.
- Locate the opener cable **D**.
- Plug the black connector into the opener port on the top side of the controller.



# 8

## Connect the controller to the garage door opener

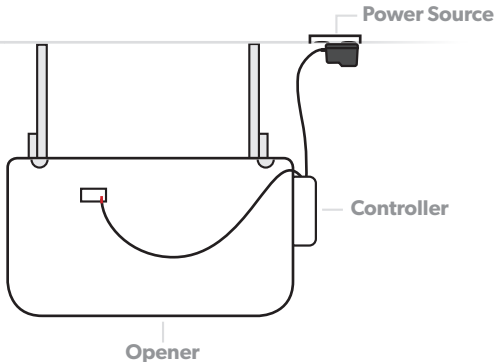
- Make sure opener is unplugged.
- Using a small screwdriver, connect the other end of the opener cable **D** to your garage door opener push button terminals. If there are already other wires present, they can be spliced together with the opener cable to share the same terminals.



# 9

## Power up the controller & opener

- Plug the power adapter **B** into the DC IN port on the controller **A** and a nearby power source.
- Plug your garage door opener back in. All done!



## Get the most from your Performax Smart Garage Door Controller!

- **Share access with others** – Invite friends and family within the app. No need to share your code or buy additional remotes.
- **Explore integrations** – beam plays well with others, from IFTTT to Amazon Alexa.

**Customer Service: 1-800-495-9278**



### **Warning:**

To reduce the risk of injury to persons:

- Use this Smart Garage Door Controller only with Residential Sectional Garage doors.
- Do not enable this device on a one-piece or swinging garage door.
- System will not work without Photo Eye Safety System installed.

Amazon, Alexa and all related logos are trademarks of Amazon.com, Inc. or its affiliates.

Decko Products | 2301 Traffic St. NE. | Minneapolis, MN 55413

