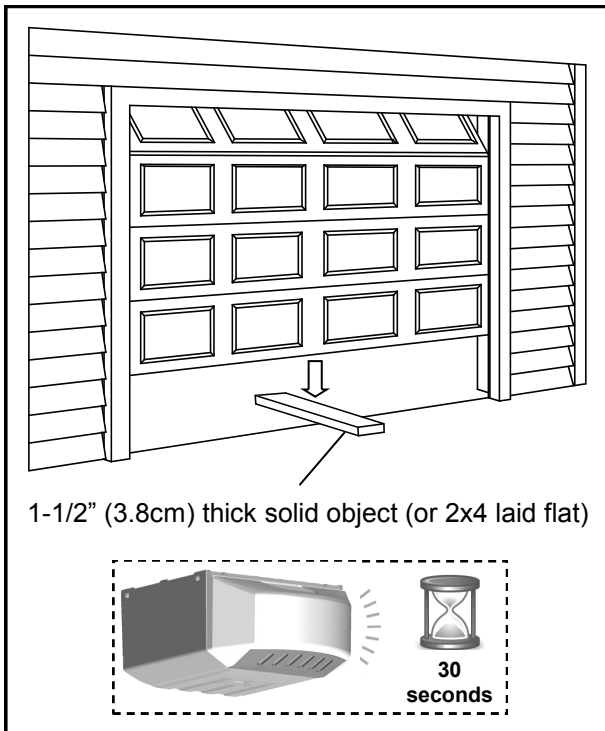


# Final Adjustments and Testing

## **WARNING**

To prevent **SERIOUS INJURY** or **DEATH** from a closing garage door:

- The Safety Reversal Test **MUST** be conducted **ONCE A MONTH**.
- **NO ONE** should cross the path of moving door during operation and/or testing.
- If either Force or Travel limit adjustment is made, the other adjustment may also be needed.
- After **ANY** adjustments, the Safety Reverse Test **MUST** be performed to ensure the door reverses on contact with a 1-1/2" thick object (2x4\* laid flat). \*For larger or heavier doors the 2x4 may need to be laid high side up (3-1/2").
- The Photo Eye Safety System **MUST** be properly aligned, and tested regularly.



### Testing the Safety Reverse System

**The Safety Reverse System prevents the door from closing when an obstruction is present.**

1. Open the door by using the Push Button or Transmitter.
2. Place a 1-1/2" (3.8cm) thick solid object (or 2x4\* laid flat) on floor under the center of garage door. \*For larger or heavier doors the 2x4 may need to be laid high side up (3-1/2").
3. Keeping the door in sight, use the Push Button or Transmitter to close the door.
4. The door **MUST REVERSE** upon striking the object within 1.5 seconds, and stop at the fully opened position.
5. The courtesy light will start flashing for 30 seconds upon triggering the Safety Reverse System.

If the door just stops on the object, adjust the Opener as follows:

The close travel maybe inadequate, Increase Close travel limit by 1/4 turn (See **Limit Adjustment** on page 16).

Conduct the test again. If the door reverses on contact, remove the object and run at least 3 **COMPLETE** travel cycles to ensure proper adjustment.

If the door still does not reverse on the object, decrease the Close Force (see **Force Adjustment** on page 17) and repeat the test.

If the Opener still fails the Safety reverse Test, call a qualified technician for door adjustment.

### Testing the Photo Eye Safety System

1. Open the door by using the Push Button or Transmitter
2. Make sure both Photo Eyes steadily emit the green and red indicator lights. (If not, check alignment)
3. Place an object under the door about 8" (20cm) high by 12" (30cm) wide (the Opener carton can be used).
4. The red indicator light on the sensor eye should be dimmed.
5. Keep the door in sight and use the Push Button or Transmitter to try to close the door.
6. The door should **NOT** move more than 1" (2.5cm) and the courtesy light should flash for 30 seconds.

