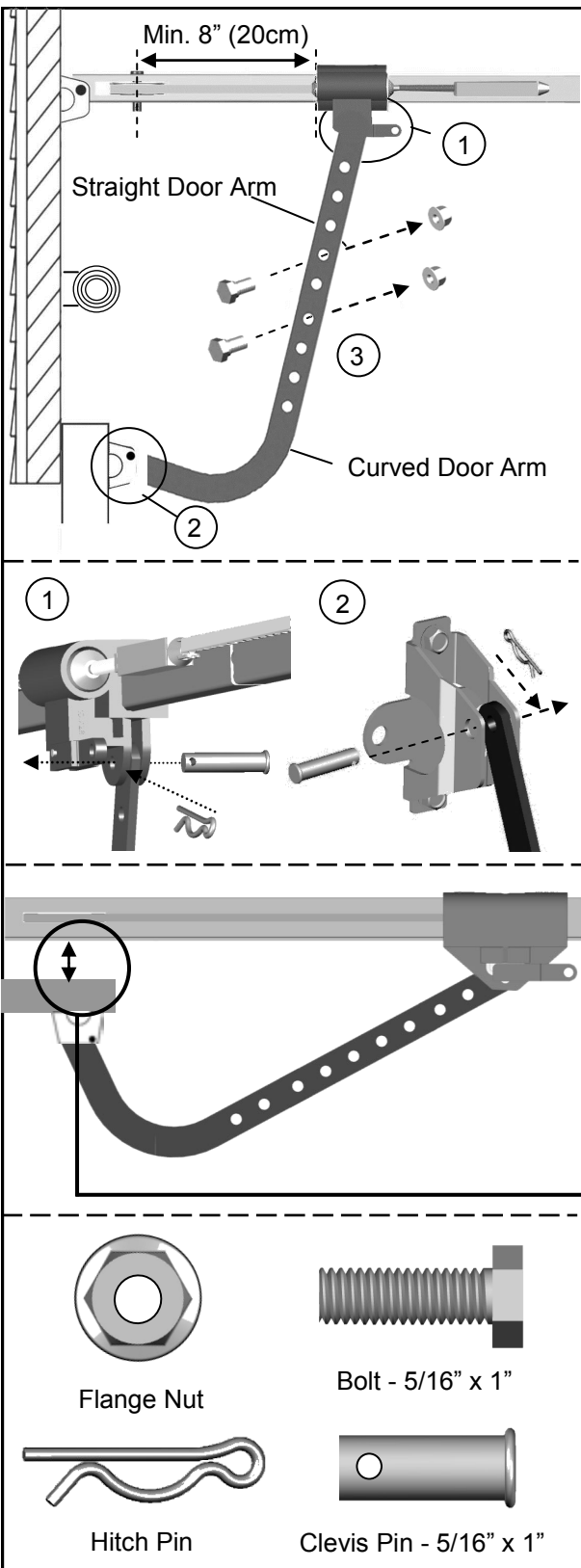


Attaching Door Arms

WARNING

To prevent **SERIOUS INJURY**:

- DO NOT connect power until instructed.
- Keep hands and fingers away from the sprocket during operation.
- Wear gloves when installing chain/belt and cable.
- Keep hands and fingers away from joints and possible sharp edges.



NOTE: The trolley must be a minimum of 8" (20cm) away from the center of the pulley.

To Connect Door Arm

Follow the steps shown in Fig. 1:

1. Fasten the Straight Door Arm to the Trolley with a 5/16" x 1" Clevis Pin and lock it with a Hitch Pin.
2. Fasten the Curved Door Arm to the Door Bracket with 5/16" x 1" Clevis Pin and lock it with a Hitch Pin.
3. To connect the door arms together, choose two pairs of holes which are as far apart as possible. Fasten the arms using two 5/16" x 1" Bolts and Flange Nuts.

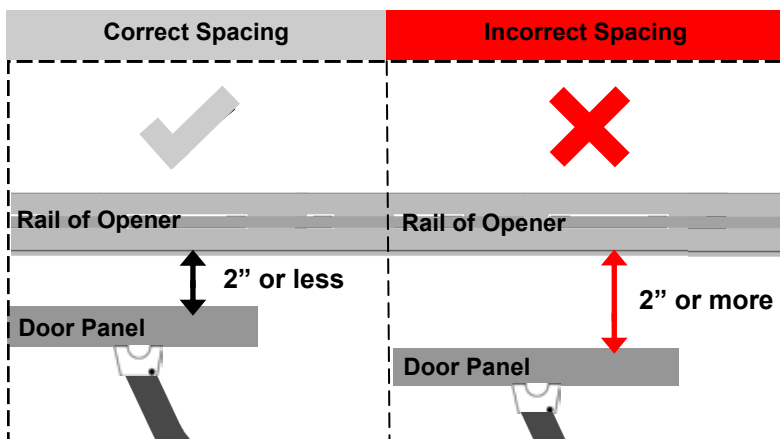


Fig.1